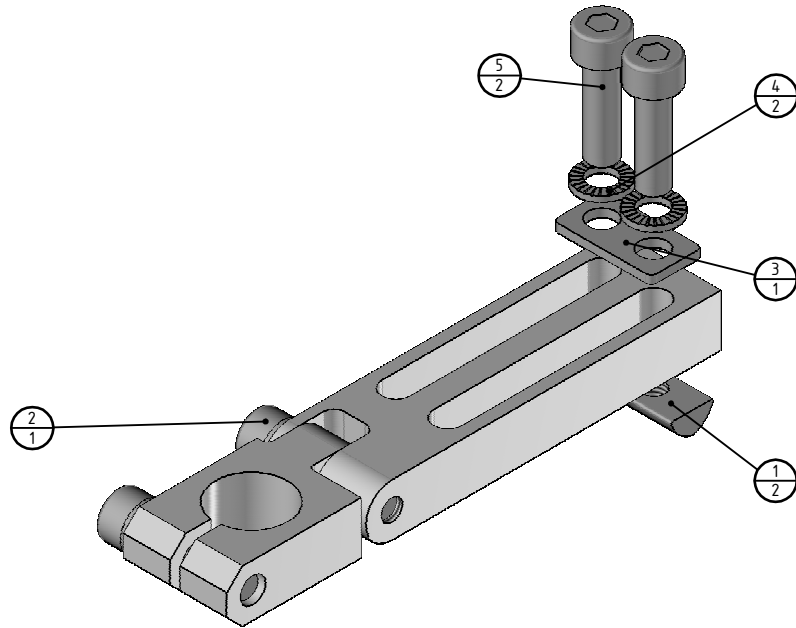


THE PROPERTY OF THE DRAWING IS ESTABLISHED BY LAW
IT IS FORBIDDEN TO PRODUCE OR SHOW IT TO THIRD PART
WITHOUT A WRITTEN AGREEMENT.

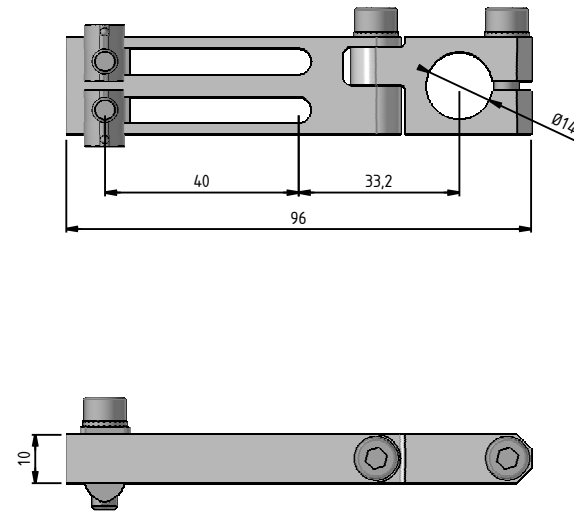
MODIFICAZIONI			VARIED. DIMENSIONI			AS OF DATE		
7	8	9	10	11	12			

MODIFICAZIONI			VARIED. DIMENSIONI			AS OF DATE		
1	2	3	4	5	6			

Format A4
UNI 936-76



Object Number	Name	QTY
1	CA.02.05.003	2
2	CA.WSL.GA.14	1
3	R.05.10	1
4	R.5.SCH	2
5	V-tcei M 5 x 18	2



		DESIGNED FROM	
		FPSERVICES	
GENERAL TOLERANCE		DATE	WEIGHT
UNI - ISO 2768		12/05/2016	0,06kg
CLASSE I		DESCRIPTION	CODE
		CA.WSL.GA.14.5	CA.WSL.GA.14.5